



Ningbo Ginlong Technologies Co.,Ltd.

CERTIFICATION OF CONFORMITY

Manufacturer: Ningbo Ginlong Technologies Co., Ltd.

No.57 jintong Road,Seafront(Binhai)Industrial park,Xiangshan
Demonstration Industrial
Estate,Xiangshan,Ningbo,Zhejinag,315712,P.R.China

Product: Automatic disconnection device between a generator and the public low-voltage grid

Model: Solis-1P1K-4G, Solis-1P1.5K-4G, Solis-1P2K-4G, Solis-1P2.5K-4G,
Solis-1P2.5K-4G-ST, Solis-1P3K-4G, Solis-1P3K-4G-ST, Solis-1P3.6K-4G,
Solis-1P4K-4G, Solis-1P4.6K-4G, Solis-1P5K-4G, Solis-1P6K-4G

Use in accordance with regulations:

Technical Guidance for Customer Export Limiting Schemes G100 for photovoltaic systems with a single-phase parallel coupling via an inverter in the public mains supply.

Applied rules and standards :

The result according to G100.

The safety concept of an aforementioned representative product corresponds at the time of issue of this certificate of valid safety specifications for the specified use in accordance with regulations.

Certificate Number: GLDQ171201

Date: 2017-12-09

Manufacture Stamp

宁波锦浪新能源科技有限公司
NINGBO GINLONG TECHNOLOGIES CO., LTD.

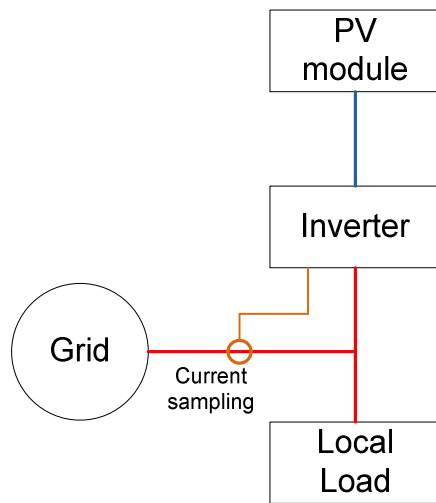
Date and place

Ningbo
2017-12-09

Zhangkun

Zhangkun

System Connecton Diagram



CT Fail Safe Test

Method: Set 50% export limit, implement the test before start or in running

Criteria: Fall time is less than 5s, the inverter's output active power is less than set limit. After fail safe test, disconnect AC, the reconnect time delay is fault reconnect time.

No.	Component	Test	Active Power	Response Time	Fall Time	Reconnect time	Pass/Fail
1	Power Monitoring Unit(PMU)	Remove power supply to PMU	NA	NA	NA	NA	NA
		Remove CT	2650W	0.88S	3.06S	43S	pass
2	PMU → CU communication cable	Unplug cable	NA	NA	NA	NA	NA



Power Limit Test

Method: Set export limit, implement the test before start, then start the inverter.

Criteria: fall time is less than 5s, the inverter's export active power is less than limit power.

0%export limit [% Inverter Rating]					
Input		Input supply [% Inverter Rating]			
Load	Expot/Time	25%	50%	75%	100%
Load	0%	-123w/2.74S	-144w/3.24S	-159w/2.71S	-187w/4.09S
	25%	NA	4w/3.88S	-10w/3.24S	1w/3.18S
Inverter Rating]	50%	NA	NA	-19w/3.68S	-15w/3.61S
	75%	NA	NA	NA	-30w/3.53S

25%export limit [% Inverter Rating]					
Input		Input supply [% Inverter Rating]			
Load	Expot/Time	25%	50%	75%	100%
Load	0%	NA	-1230w/3.33S	-1218w/2.63S	-1220w/4.11S
	25%	NA	NA	-1259w/2.83S	-1184w/2.73S
Inverter Rating]	50%	NA	NA	NA	-1194w/4.11S
	75%	NA	NA	NA	NA

50%export limit [% Inverter Rating]					
Input		Input supply [% Inverter Rating]			
Load	Expot/Time	25%	50%	75%	100%
Load	0%	NA	NA	-2534w/3.99S	-2530w/3.56S
	25%	NA	NA	NA	-2480w /2.55S
Inverter Rating]	50%	NA	NA	NA	NA
	75%	NA	NA	NA	NA

75%export limit [% Inverter Rating]					
Input		Input supply [% Inverter Rating]			
Load	Expot/Time	25%	50%	75%	100%
Load	0%	NA	NA	NA	-3730w/2.56S
	25%	NA	NA	NA	NA
Inverter Rating]	50%	NA	NA	NA	NA
	75%	NA	NA	NA	NA

Comments

The test result is based on Solis-1P6K-4G. All the series of inverters electrical character are the same. So the test result can cover all series.